

Peristaltic - Fluid Transfer Pumps

Models 3100/3200

Replacement Cartridges for Models 3100/3200

Material	Silicone	PVC
Applications	Biofluids / Food	General Lab, Viscous Fluids
Tubing I.D. (Flow Rate Range)	Tubing Cartridges (5 each) CAT. No.	Tubing Cartridges (5 each) CAT. No.
1.6mm (3-30 ml/min) - 5 pack	3432K-01	3434K-01
3.2mm (10-130 ml/min) - 5 pack	3432K-02	3434K-02
4.5mm (30-300 ml/min) - 5 pack	3432K-04	3434K-04



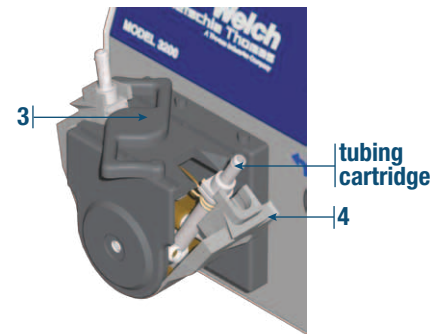
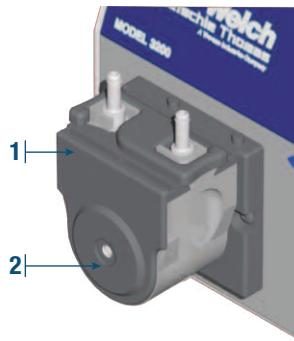
3100



3200

Service Kit CAT. No. 3200K-02 for Models 3100/3200

ID	Qty.	Description
1	1	Pump Head
2	1	Roller Carrier
3	1	Lock
4	1	Rolling Band



1
2

3
4
tubing cartridge