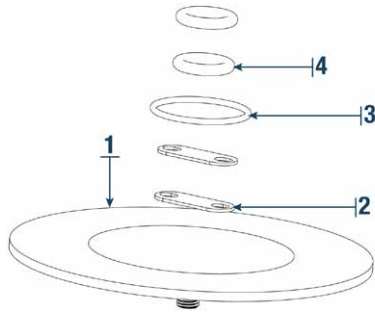


# Chemical Duty PTFE Dry Vacuum Pumps

## Self-Cleaning Dry Vacuum Systems™ Models 2025/2026/2027/2028

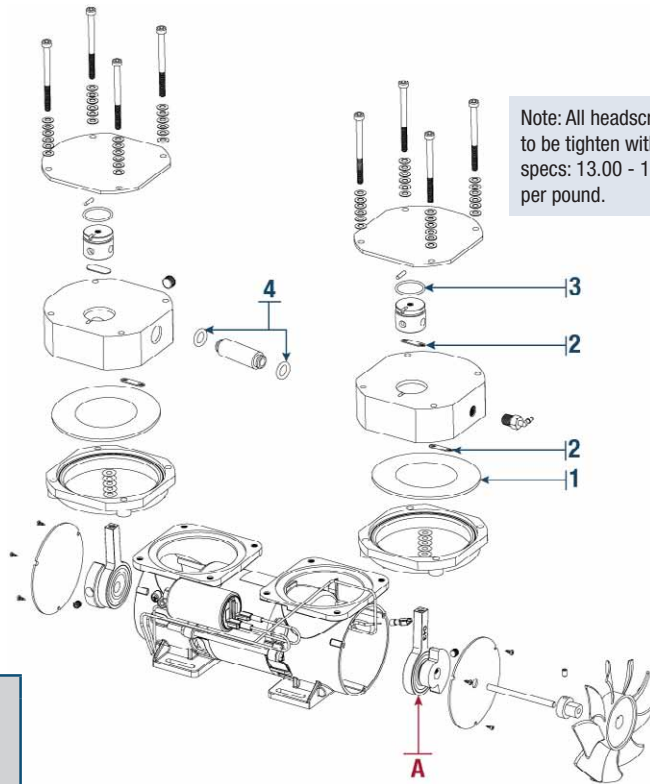


**Single Head Service Kit**  
**CAT. No. 2037K-01 for Model 2025**

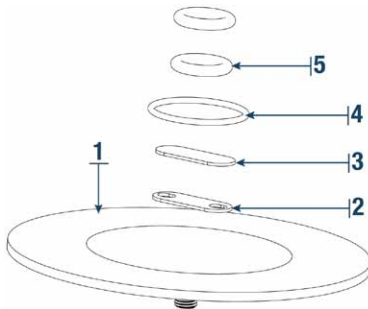
ID	Qty.	Description
1	1	Diaphragm Mold
2	2	Intake Valve
3	1	O-Ring
4	2	O-Ring

**Individual Spare Parts for Models 2025**

ID	Qty.	CAT. No.	Description
A	1	2014K-01	Con Rod Assembly



Note: All headscrews need to be tightened with torque specs: 13.00 - 13.50 inch per pound.

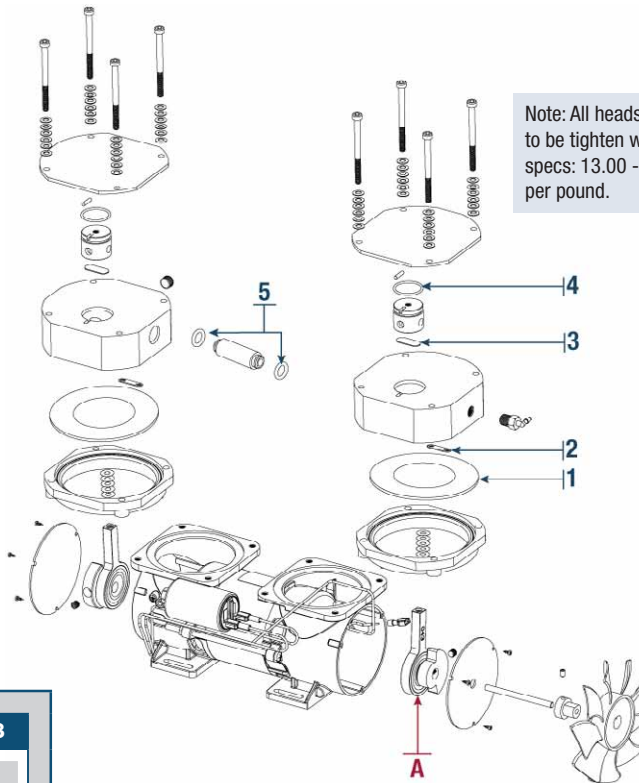


**Single Head Service Kit CAT. No. 2047K-01**  
**for Models 2026/2027/2028**

ID	Qty.	Description
1	1	Diaphragm Mold
2	2	Intake Valve
3	1	Exhaust Valve
4	1	O-Ring
5	2	O-Ring

**Individual Spare Parts for Models 2026/2027/2028**

ID	Qty.	CAT. No.	Description
A	1	2014K-01	Con Rod Assembly



Note: All headscrews need to be tightened with torque specs: 13.00 - 13.50 inch per pound.